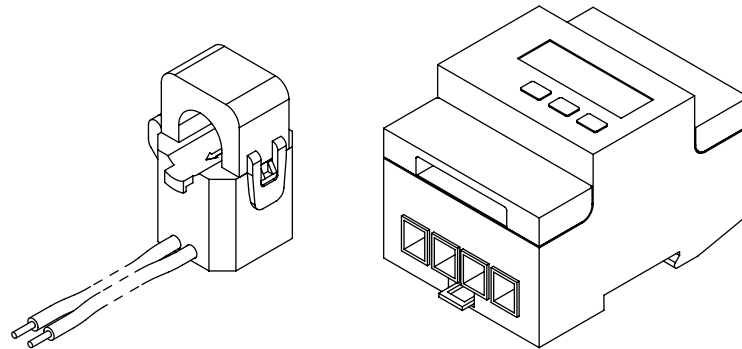


# ***Energizer***<sup>®</sup>

## ***HOMEPower***

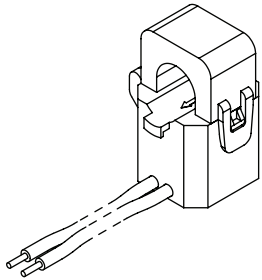


**3-Phase Kit - (CT)**

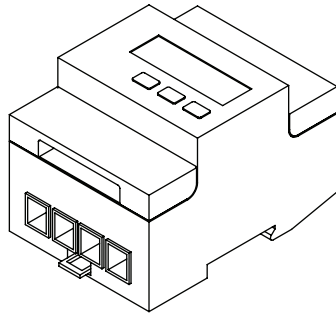
---

Installation Instructions

## CONTENTS



**6 x**  
CT Sensors  
(1.5m)



**2 x**  
Digital Meters  
(CT type)

## INTRODUCTION

The 3-Phase Kit is used to measure electrical energy data across multiple phases of both consumption and generation and report it back to the *Energizer* Homepower system.

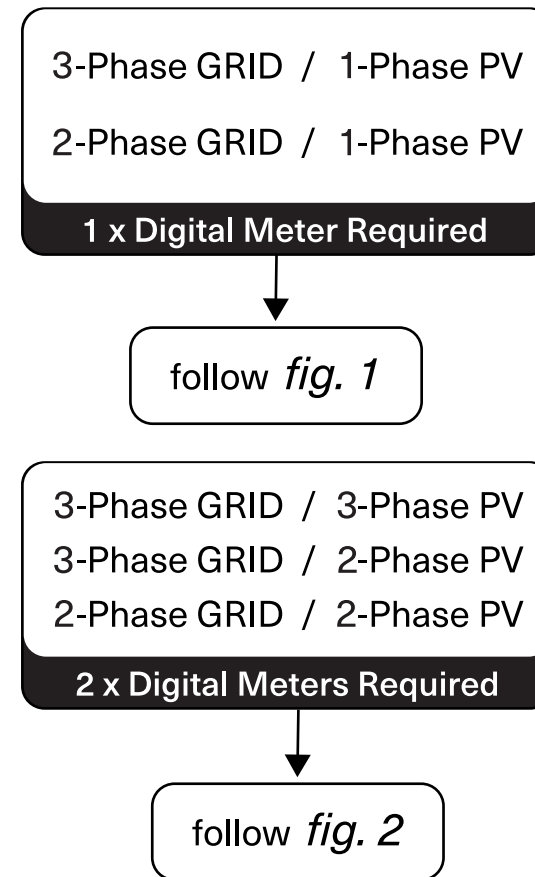
There is provision within this kit to measure energy data from up to 3 phases of consumption by clipping a CT sensor on each phase between the loads and the grid, and up to 3 phases of generation from Solar PV systems by clipping a CT sensor on each phase between the PV inverter and the loads. This is accompanied by voltage references measured via the digital meter(s).

If the Solar PV system is only Single Phase then a digital meter is not required for capturing "Generation" as this data may be captured by the CT (for PV) supplied with the Main Unit (HP-6M).

## STEP 1 - WIRING

**Power digital meter(s) and change settings accordingly.**

Determine the system configuration from the list below, and follow the corresponding line diagram on the reverse side to complete wiring.



**Once you have completed the wiring, proceed to step 2.**

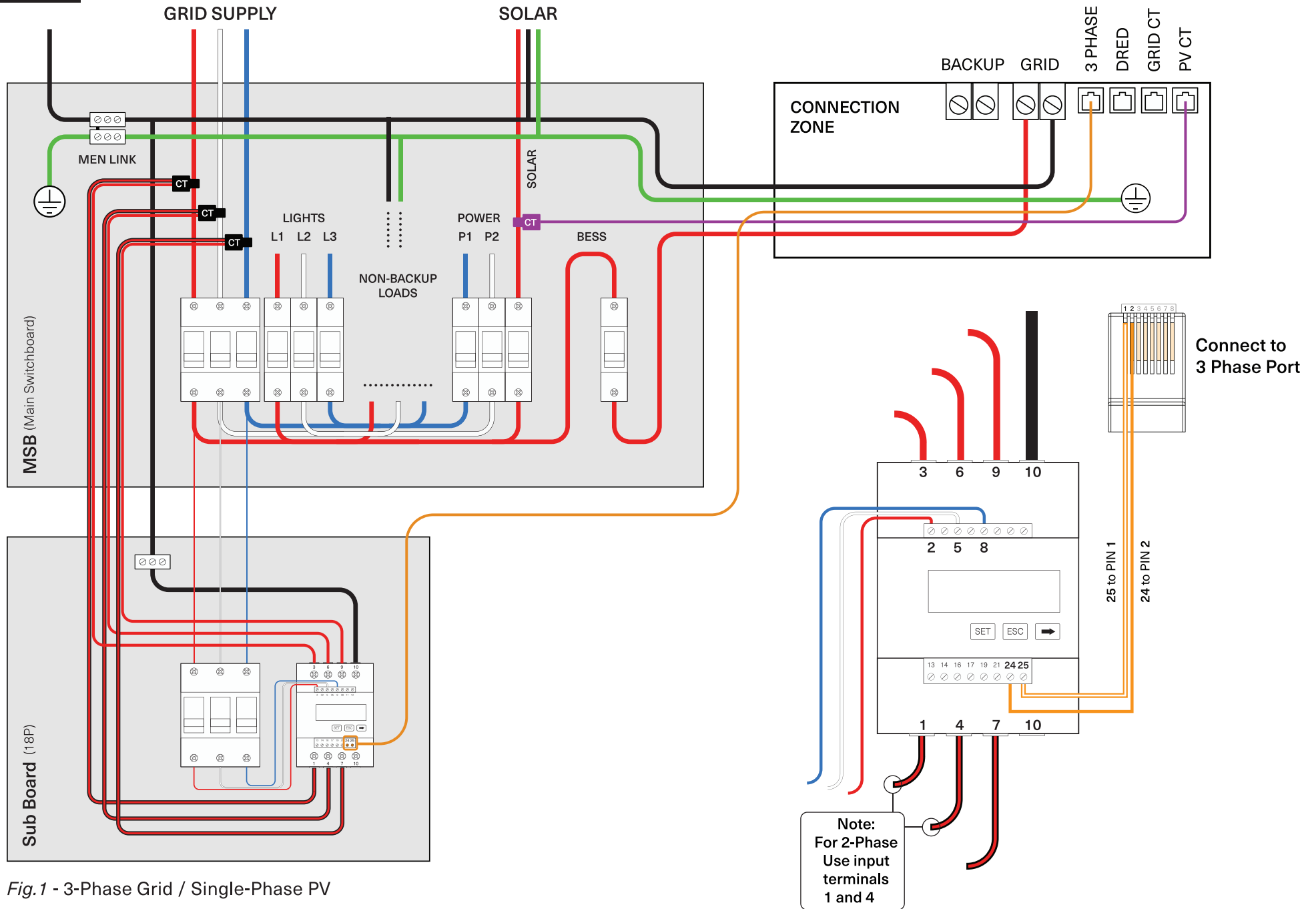


Fig.1 - 3-Phase Grid / Single-Phase PV

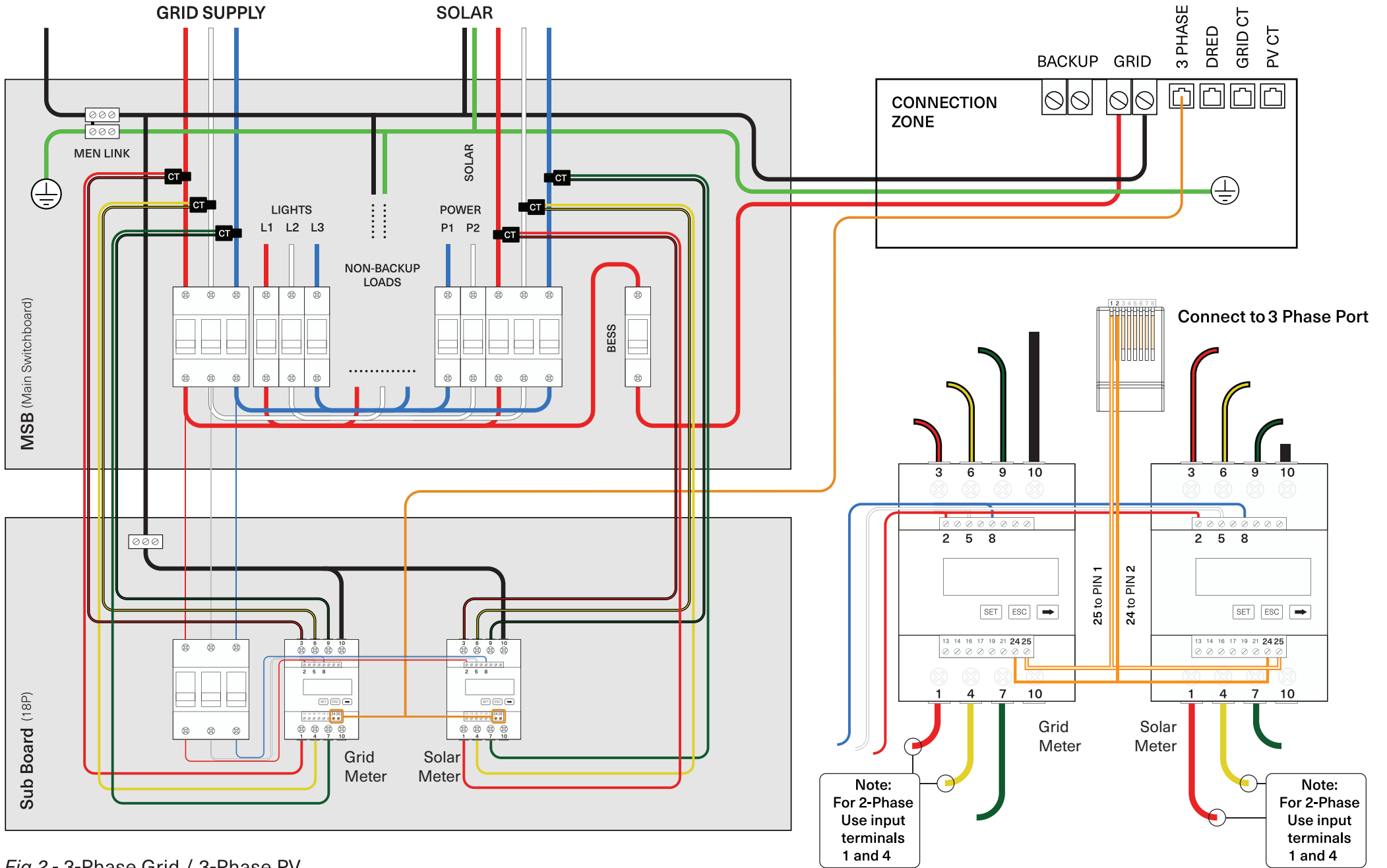
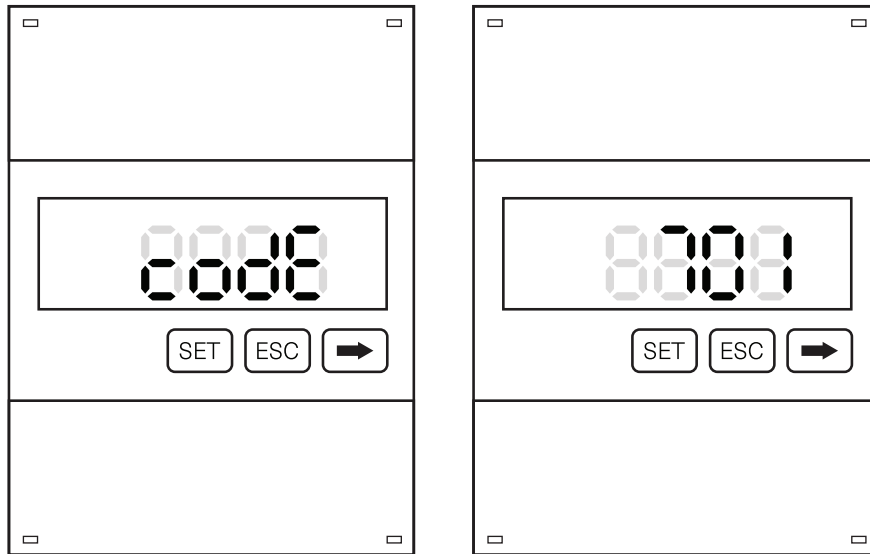


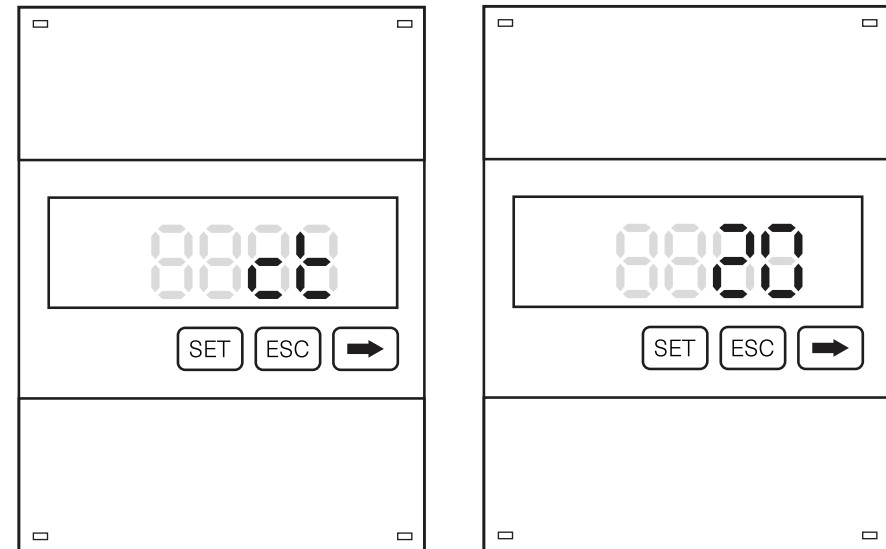
Fig.2 - 3-Phase Grid / 3-Phase PV

## STEP 2 - CODE & CT



1. Press **SET** to enter the “code” screen.
2. Press **SET** to edit code from “600” to “701” to enter menu.
3. Press **→** to change the last digit from “0” to “1”.
4. Press **SET** twice to move to the first digit.
5. Press **→** to change the first digit from “6” to “7”.
6. Press **SET** twice to get to settings, you will see “ct”.

*Note: The numbers will reset to “600”.*

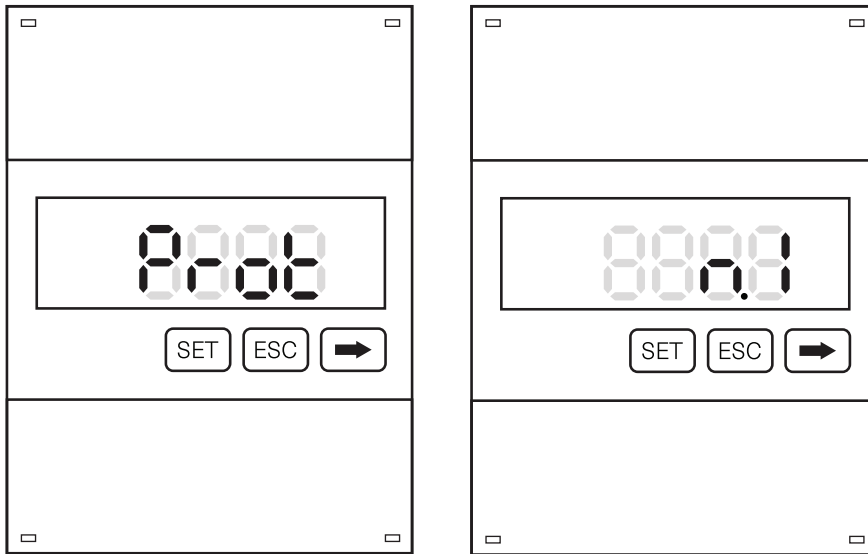


1. Press **SET** to edit “CT” value.
2. Toggle between **→** & **SET** to set value to “20”.
3. Press **ESC** to exit.

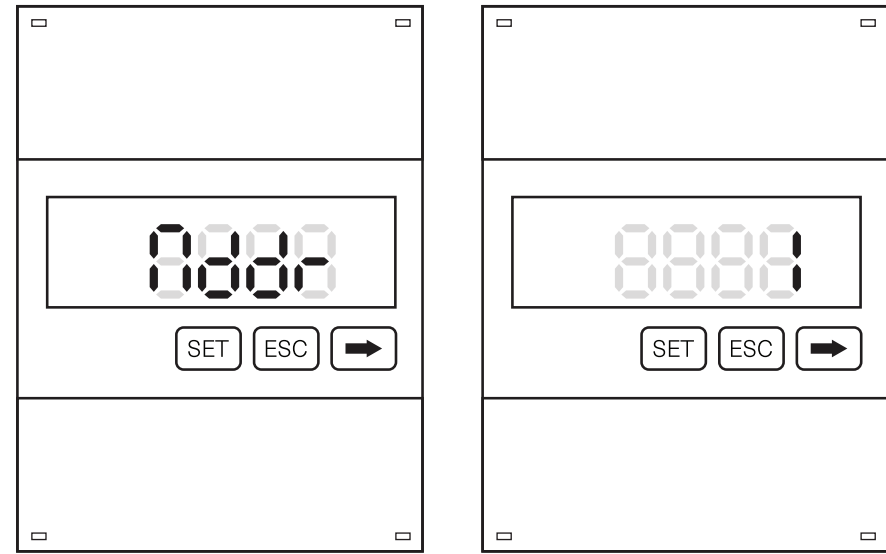
*Note: “20” is the ratio for the CT’s provided in this kit.*

*If you are using 3rd party CT’s you may need to adjust this value.*

## STEP 3 - PROTOCOL & ADDRESS

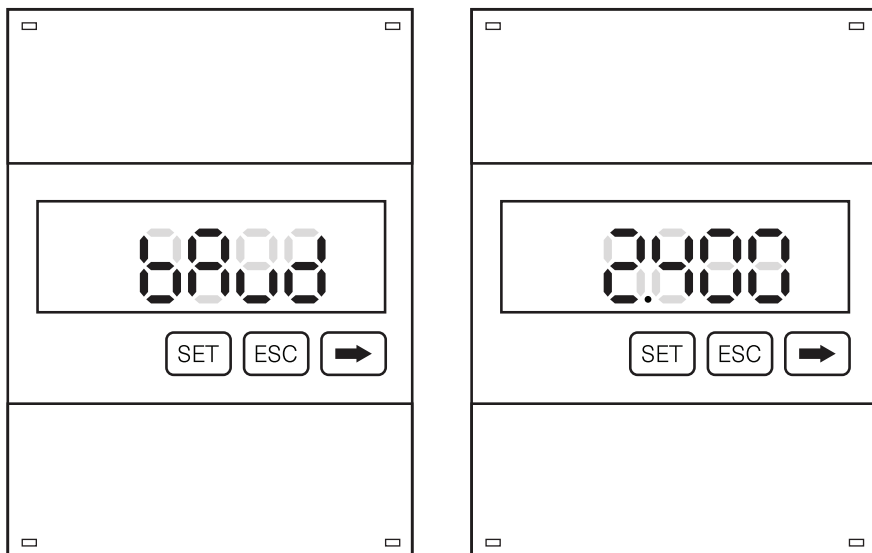






1. Press twice to get to “Prot” screen.
2. Press to edit value.
3. Press to scroll through to find “n.1”.
4. Press to exit.



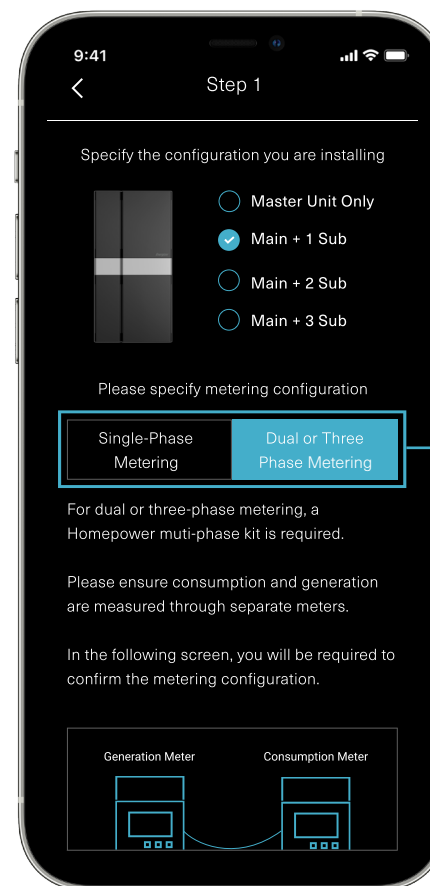
1. Press to get to “Addr” screen.
2. Press to edit value.
3. Toggle between & to edit value.  
set Consumption meter to “1” / Generation meter to “2”.
4. Press to keep value.
5. Press to exit.

## STEP 4 - BAUD RATE



1. Press  to get to “bAud” screen.
2. Press  to set value.
3. Press  to scroll to “2.400”.
4. Press  to exit.

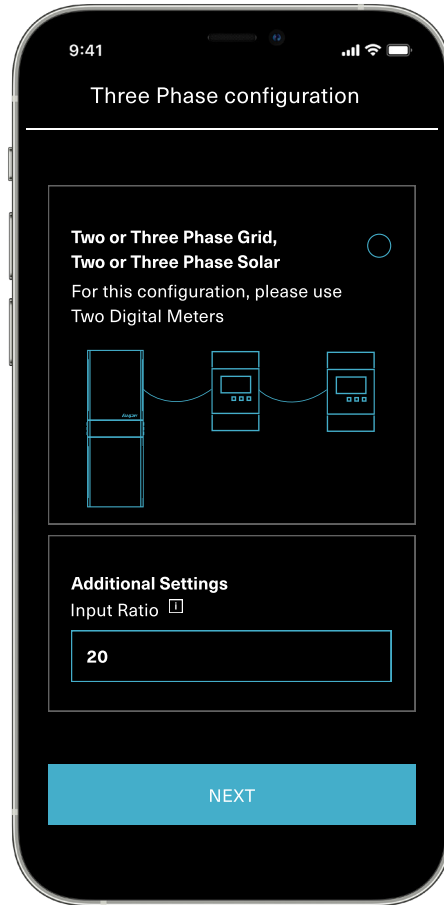
## STEP 5 - INSTALLER APP



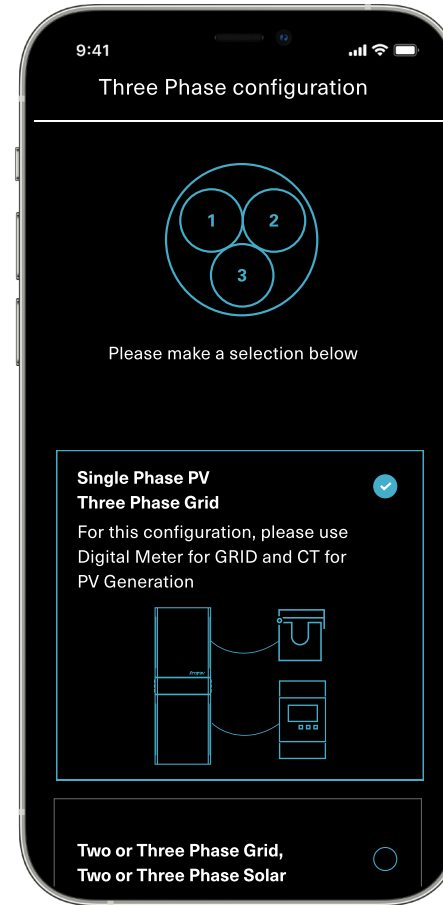
Start by selecting  
Dual or Three Phase metering



Select whether you are using:  
1 x Digital Meter + 1x CT  
or  
2 x Digital Meters



Input Ratio: Set Value to "20"  
*Note: "20" is the ratio for the CT's provided in this kit. If you are using 3rd party CT's you may need to adjust this value.*



Review & Test

